

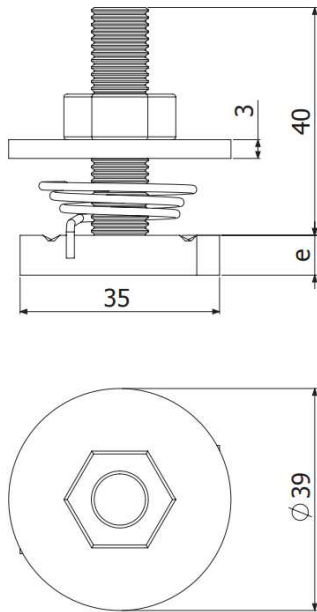
# SPRING SPIRAL NUT (TEP)

REV.10/09/2018

www.basor.com



## SPRING SPIRAL NUT (TEP)



Models:

M10

Material: EZ

Characteristics:

- Electrolytic galvanizing according to UNE EN ISO 4042 with zinc minimum thickness of 8µm and medium thickness of 12 µm
- With electrical continuity
- Metric threaded

M	e(mm)	Torque (N.m)
M10	8	17

## MOUNTING INSTRUCTIONS

- The spring spiral nut TEP is designed to be used with 41/82 profile family.
- The spring allows to regulate and maintain the position without effort to fix any piece
  1. Insert the spring nut into the profile.
  2. Turn it 90° until it is perpendicular to the direction of the profile.
  3. Move it to the desired position.



## WORKING LOAD

	kg
F traction	700
F sliding	350